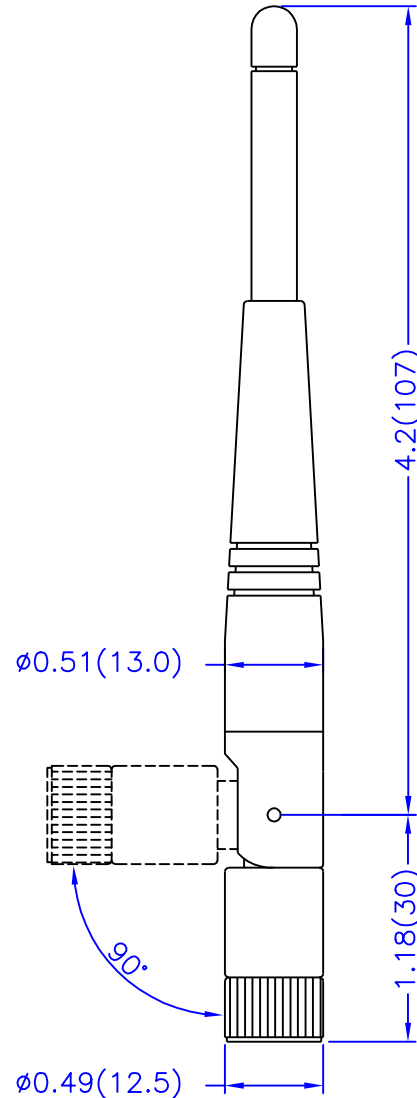


**P/N A24-HASM-525**

SMA Reverse Polarity Plug(female)



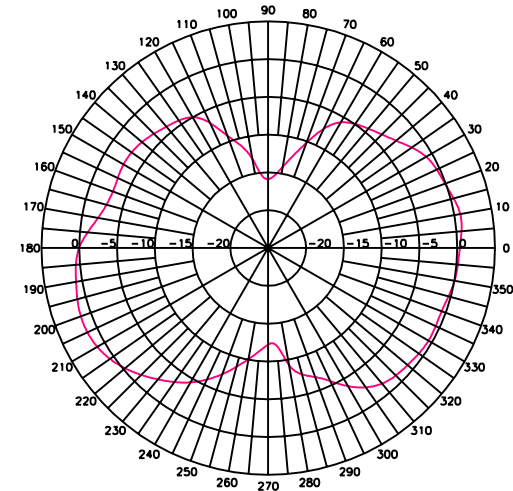
**Electrical Properties:**

Frequency Range: 2.4~2.5 GHz  
 Impedance: 50Ω nominal  
 VSWR: <2.0:1  
 Gain: 2 dBi  
 Radiation: Omni  
 Polarization: Vertical  
 Wave: Half Wave Dipole

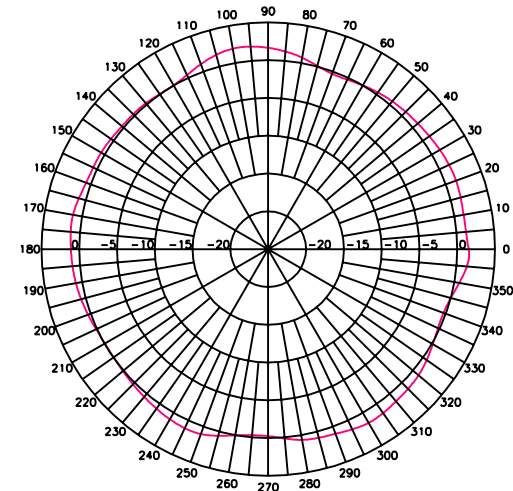
**Mechanical Properties:**

Connector: **RPSMA Plug (male)**  
 Material:  
 Whip: Polyurethane(Black)  
 Swivel Mechanism: Polycarbonate(Black)  
 Connector: Brass with black chrome plating  
 Operation Temp.: -20°C to +65°C  
 Storage Temp.: -30°C to +75°C

**E-Plane Pattern @ 2.45GHz**



**H-Plane Pattern @ 2.45GHz**



TITLE	2.4GHz Swivel Ant		VER
UNIT	DWG. NO.	<b>A24-HASM-525</b>	
in.(mm)			
SCALE	<b>MaxStream, Inc.</b>		
1:1			